



RAZER OPUS

MASTER GUIDE

Introducing our wireless THX® Certified Headphones equipped with advanced active noise cancellation (ANC) technology. Experience pure, high-fidelity sound with zero distractions for all your entertainment wherever you go.

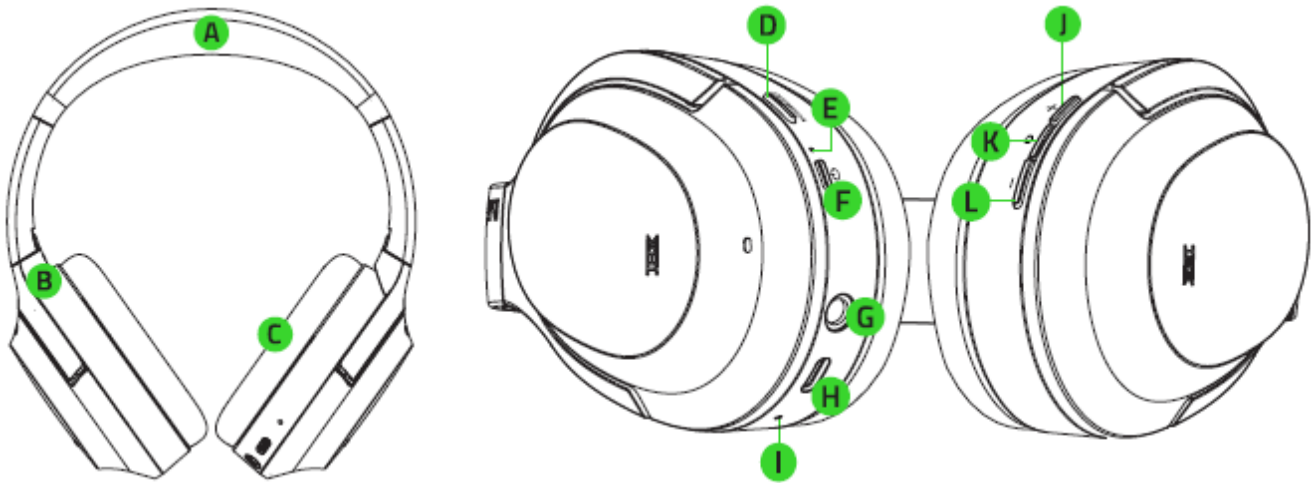
# CONTENTS

1. WHAT'S INSIDE .....	3
2. WHAT'S NEEDED .....	5
3. LET'S GET YOU COVERED .....	5
4. TECHNICAL SPECIFICATIONS.....	6
5. GETTING STARTED .....	7
6. USING YOUR RAZER OPUS.....	10
7. SAFETY AND MAINTENANCE .....	15
8. LEGALESE .....	16

---

## 1. WHAT'S INSIDE

- Razer Opus

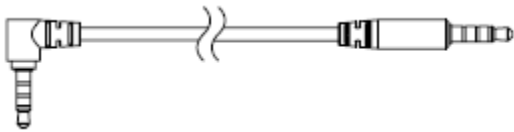


- A. Adjustable padded leatherette headband
- B. Rotatable circumaural ear cup design
- C. Plush memory foam ear cushions
- D. ANC/Ambient button
- E. Status indicator
- F. Power button
- G. 3.5mm audio socket
- H. Type C port
- I. Mic diaphragm
- J. Volume up button
- K. Center button
- L. Volume down button

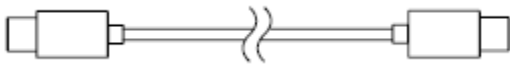
- Premium Carry case



- 3.5mm audio cable



- Type C charging cable



- USB-A to type C adapter



- Airline headphone adapter

---

## 2. WHAT'S NEEDED

### PRODUCT REQUIREMENTS

- [Wireless mode] Devices with Bluetooth connectivity
- [Wired mode] Devices with a 3.5mm headphone socket

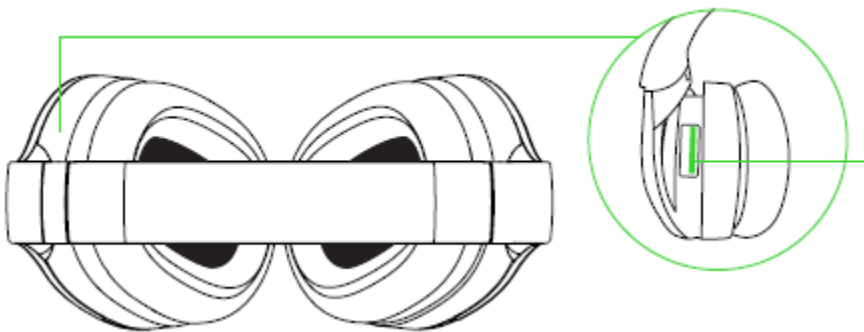
### MOBILE APP REQUIREMENTS

- iOS or Android device with Bluetooth connectivity
- Internet connection
- 50 MB of free storage space for iOS
- 10 MB of free storage space for Android

---

## 3. LET'S GET YOU COVERED

You've got a great device in your hands complete with a 2-year limited warranty coverage. Now maximize its potential and score exclusive Razer benefits by registering at [razerid.razer.com](https://razerid.razer.com)



*Your product's serial number can be found here.*

---

## 4. TECHNICAL SPECIFICATIONS

### HEADPHONES

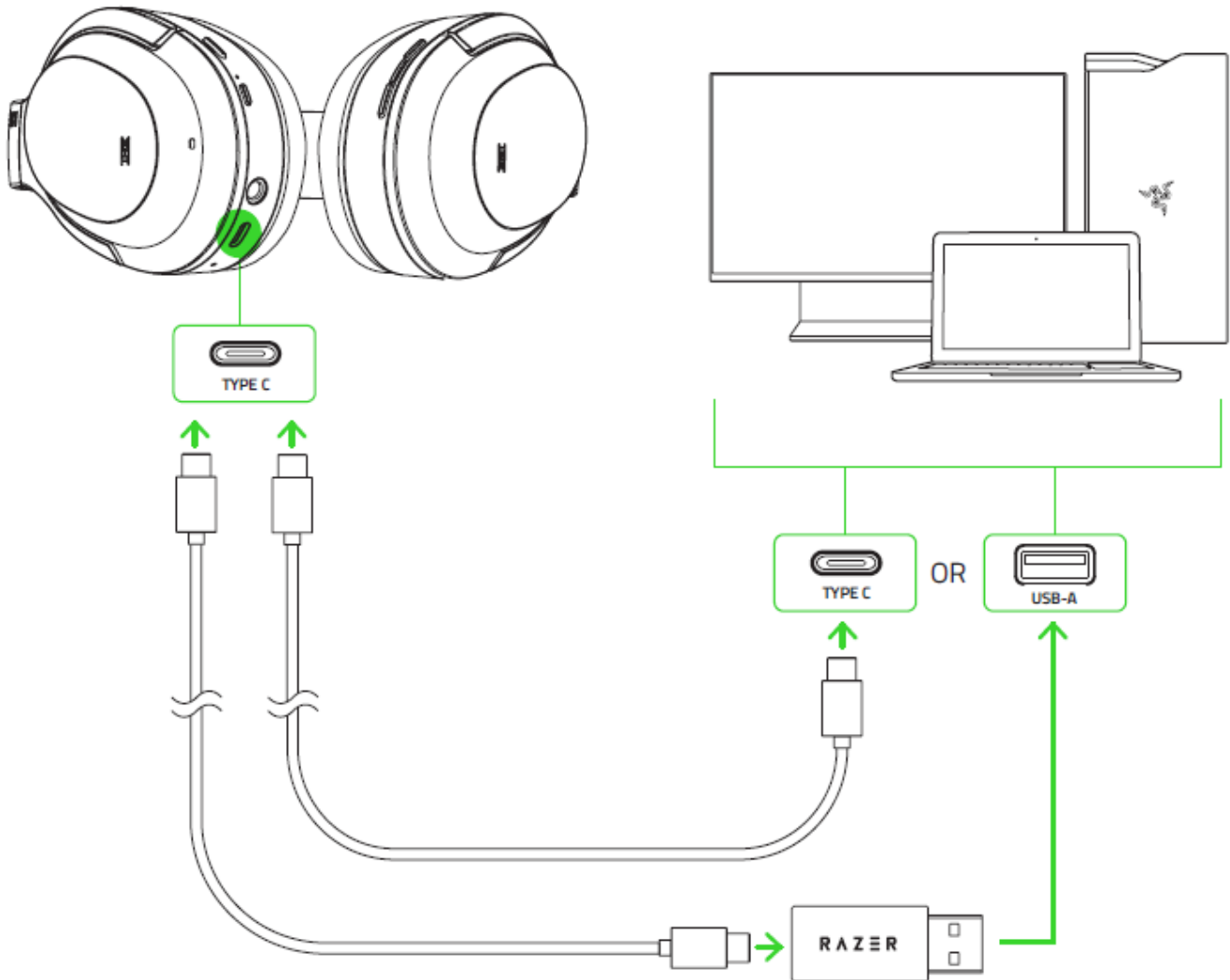
- Drivers: 2 x 40mm dynamic drivers
- Weight: 260g
- Frequency response: 10 Hz - 20 kHz
- Microphones: 4 for hybrid active noise cancellation technology, 2 for voice chat
- Wearing style: Circumaural
- What's inside: Headset, premium carry case, airplane adapter, 1.5m length 3.5mm analog cable, 30cm length USB-C to USB-C cable, USB-A to USB-C adapter
- Battery life: Up to 25 hours
- BT Version: 4.2
- Codecs: AAC & APTX, 4.2, A2DP, AVRCP, HFP

---

## 5. GETTING STARTED

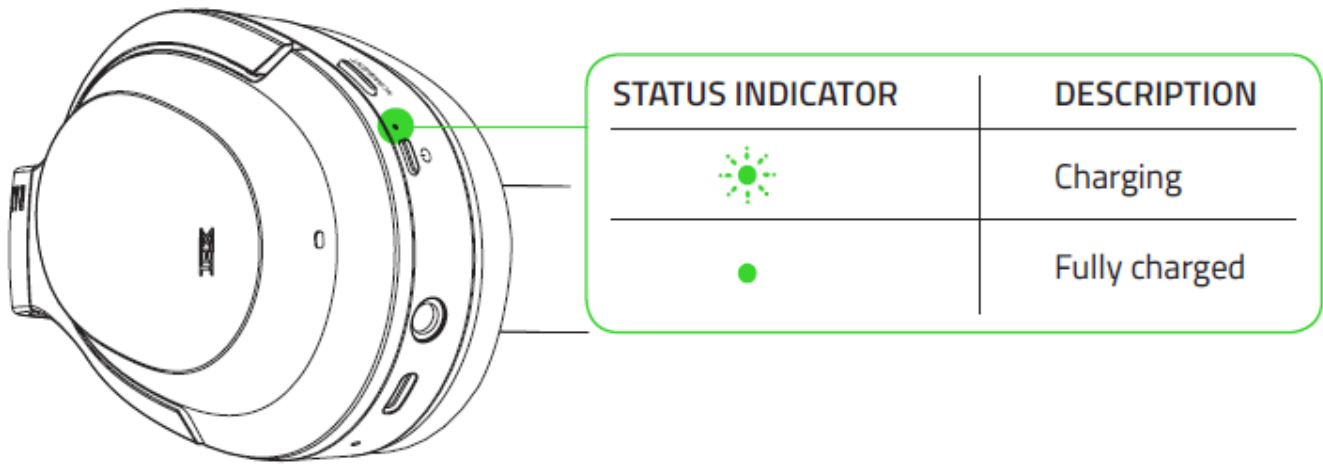
### CHARGING YOUR HEADSET

Connect your Razer Opus directly to any Type C port using the charging cable or to any USB-A port using the adapter. For best results, please fully charge your headset before using it for the first time. A depleted battery will fully charge in about 4 hours.



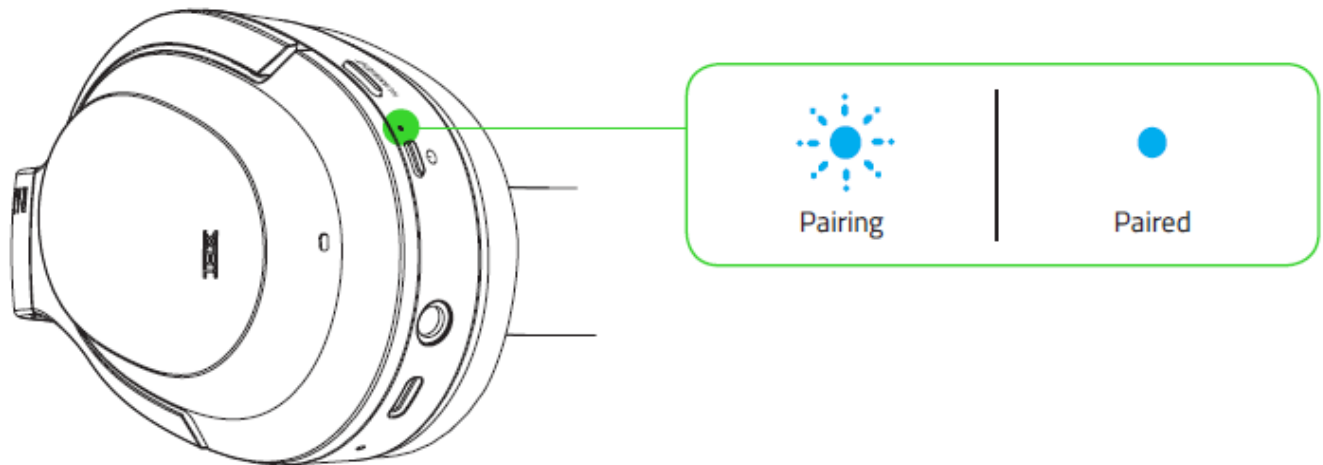


While charging, your Razer Opus will continuously show its battery level on the status indicator, as shown here:



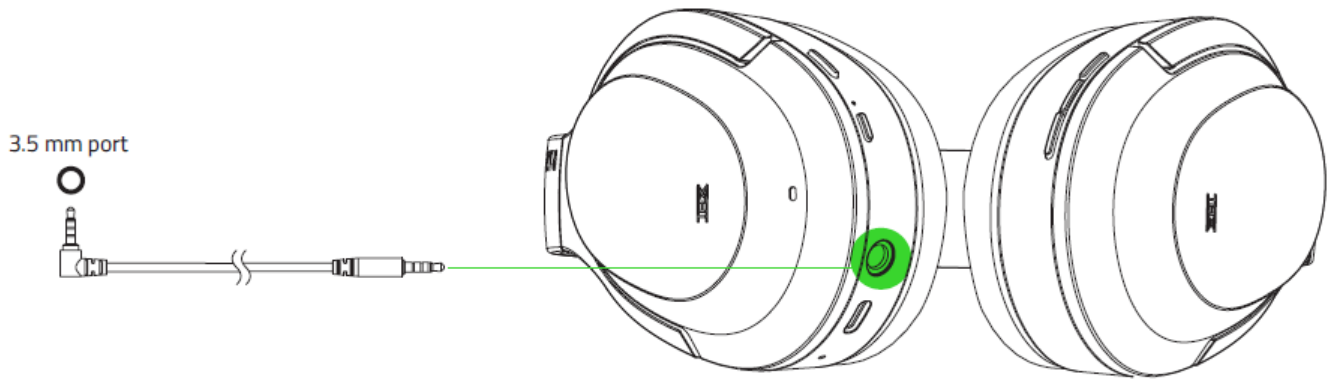
### WIRELESS MODE

While powered off, press and hold the power button until the status indicator starts blinking blue. A pairing mode tone will notify you that your Razer Opus is searching for compatible Bluetooth devices. Follow your device’s instructions to pair it with your Razer Opus. Once the headset is paired, the status indicator will change to static blue.



## WIRED MODE

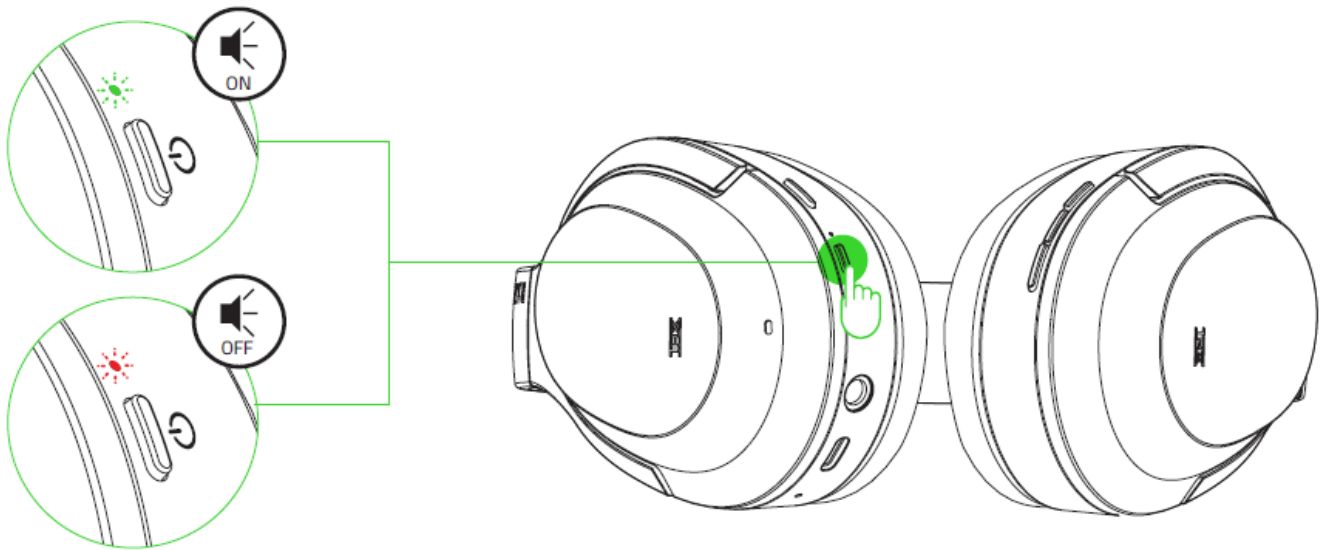
Connect your Razer Opus to any 3.5mm audio socket using the provided 3.5mm audio cable. You can also use the airline headphone adapter along with the 3.5mm audio cable for in-flight audio jacks. As long as your headset is powered on, you can still use ANC and Ambient Awareness in wired mode.



## 6. USING YOUR RAZER OPUS

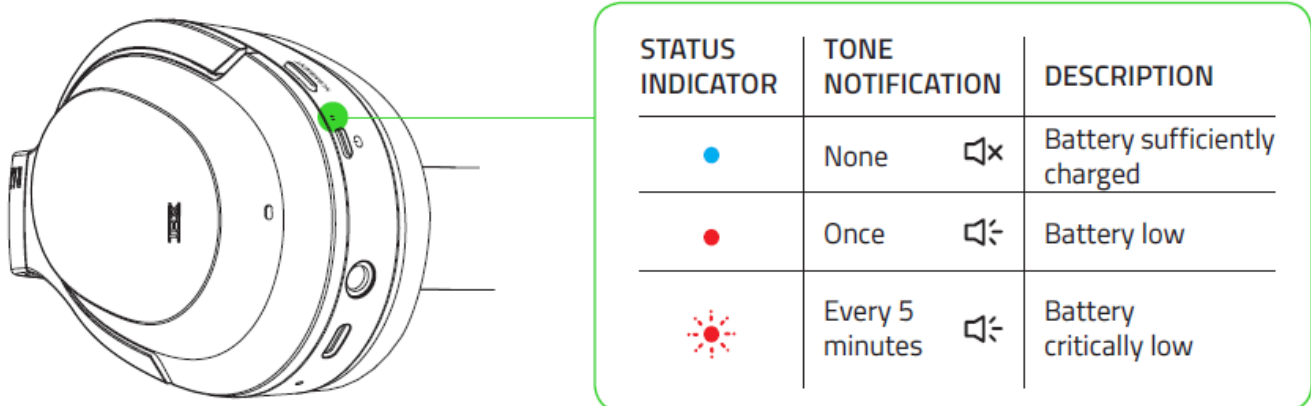
### POWER ON/OFF

Press and hold the power button until the status indicator turns green to power on. Press and hold the power button again until the status indicator turns red to power off. Two distinct tones will help notify you that your Razer Opus is powered on or off.



### BATTERY LEVEL

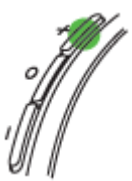
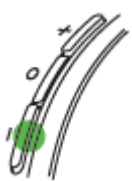
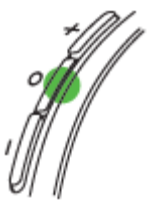
While unplugged, your Razer Opus will briefly show its battery level on the status indicator when you power on the headset. While in use, there will be a tone notification when the battery needs recharging, as shown here:



## HEADSET CONTROLS

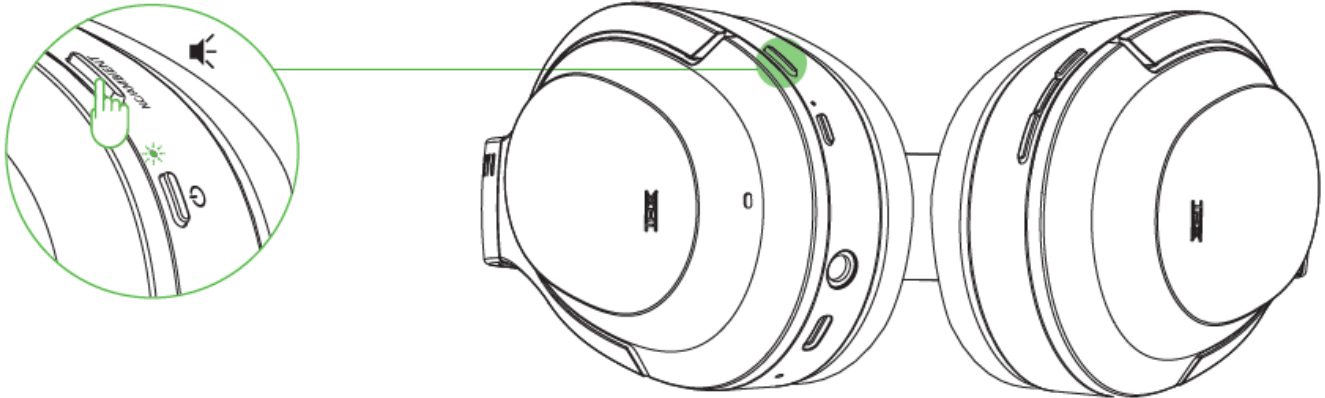
The following controls are available when connected to your device via Bluetooth. These controls operate based on your device's current activity.

*Note: Some features listed here may not be applicable to certain devices.*

	VOLUME UP BUTTON	
	Single press	Increase audio volume
	Press and hold	Continuously increase audio volume
	VOLUME DOWN BUTTON	
	Single press	Decrease audio volume
	Press and hold	Continuously decrease audio volume
	CENTER BUTTON	
	Single press	Play/pause
		Accept incoming call or end current call
		Put call on-hold and accept incoming call
		End call and swap to on-hold call
	Press and hold	Launch voice command
		Reject incoming call
		Swap calls
Double press	Skip track	
Triple press	Previous track	

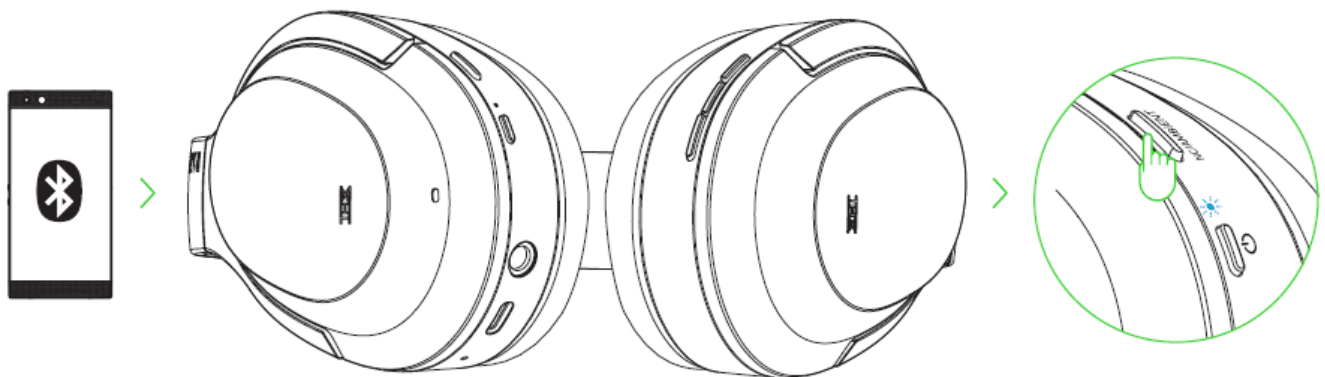
## ACTIVE NOISE CANCELLATION (ANC)

Active Noise Cancellation helps eliminate background noise. While powered on, press the ANC/Ambient button to enable or disable ANC. Two distinct tones will notify you that the ANC is either enabled or disabled. Active noise cancellation will work for both wired and wireless connection.



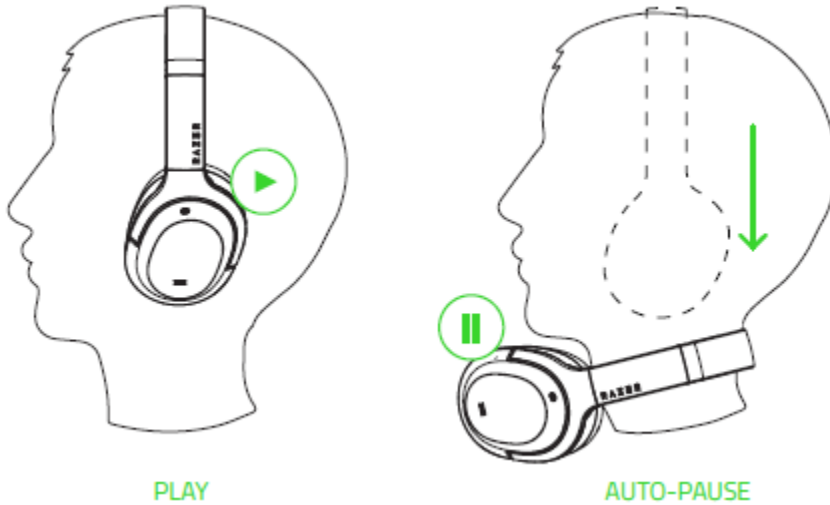
## AMBIENT AWARENESS

Ambient awareness allows you to hear your surroundings without needing to remove your headset. While connected via Bluetooth, press and hold the ANC/Ambient button to activate ambient awareness. To deactivate this function, simply remove your finger from the button.



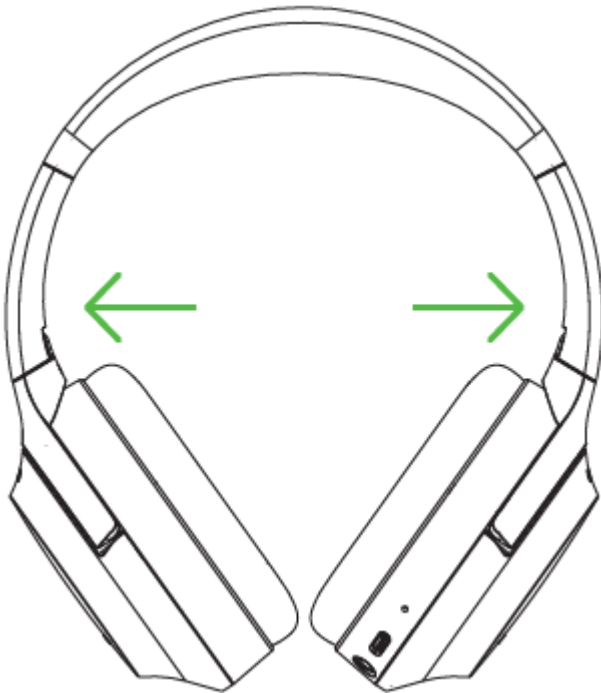
## AUTO-PAUSE

When your Razer Opus is removed from your ears, it will automatically pause the audio being played. Auto-pause is enabled by default and you can change this setting using the mobile app.



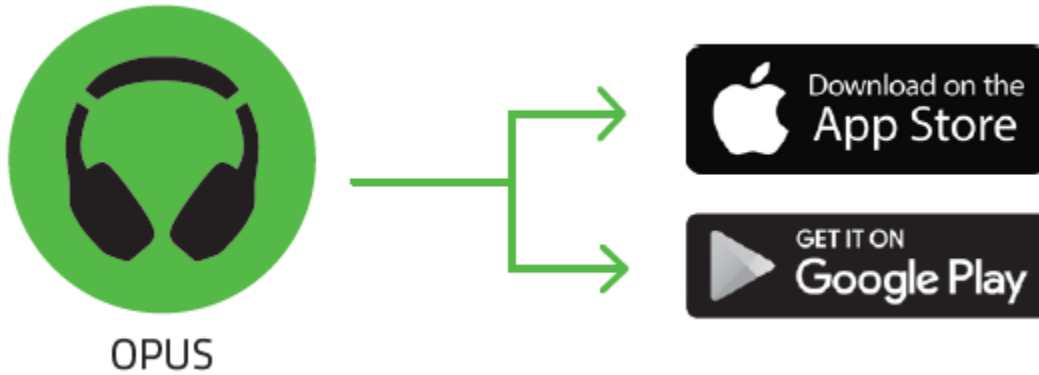
## COMFORT

We recommend stretching the headset gently apart before placing them over your head to minimize headband stress. However, please avoid overstretching the headset beyond its technical limits.



## DOWNLOAD THE APP

Making advanced customization just got a whole lot easier for your Razer Opus. With its own mobile app, you can select THX or other equalizer presets, and much more—anytime, anywhere.



1. Download the mobile app on your mobile device.
2. Launch the app and follow the onscreen instructions.

Please refer to the Online Master Guide at [support.razer.com](https://support.razer.com) for in-depth instructions on how to configure and use your Razer Opus.

---

## 7. SAFETY AND MAINTENANCE

### SAFETY GUIDELINES

In order to achieve maximum safety while using your Razer Opus, we suggest that you adopt the following guidelines:

Should you have trouble operating the device properly and troubleshooting does not work, unplug the device and contact the Razer hotline or go to [support.razer.com](https://support.razer.com) for assistance.

Do not take apart the device (doing so will void your warranty) and do not attempt to operate it under abnormal current loads.

Keep the device away from liquid, humidity or moisture. Operate the device only within the specific temperature range of 0°C (32°F) to 40°C (104°F). Should the temperature exceed this range, unplug and/or switch off the device in order to let the temperature stabilize to an optimal level.

The device isolates external ambient sounds even at low volumes, resulting in lowered awareness of your external surroundings. Please remove the device when engaging in any activity that requires active awareness of your surroundings.

Listening to excessively loud volume over an extended period of time can damage your hearing. Furthermore, legislation of certain countries permits only a maximum sound level of 86dB for 8 hours a day. We therefore recommend that you reduce the volume to a comfortable level when listening for prolonged periods of time. Please, take good care of your hearing.

### MAINTENANCE AND USE

The Razer Opus requires minimum maintenance to keep it in optimum condition. Once a month we recommend you clean it using a soft cloth or cotton swab to prevent dirt buildup. Do not use soap or harsh cleaning agents.



---

## 8. LEGALESE

### COPYRIGHT AND INTELLECTUAL PROPERTY INFORMATION

©2020 Razer Inc. All rights reserved. Razer, the triple-headed snake logo, Razer logo, “For Gamers. By Gamers.”, and “Powered by Razer Chroma” logo are trademarks or registered trademarks of Razer Inc. and/or affiliated companies in the United States or other countries. All other trademarks and trade names are the property of their respective owners and other company and product names mentioned herein may be trademarks of their respective companies.

THX and the THX logo are trademarks of THX Ltd., registered in the U.S. and other countries.

iOS is a trademark or registered trademark of Cisco in the U.S. and other countries and is used under license. App Store is a service mark of Apple Inc.

Android™ and Google Play™ are trademarks of Google Inc.

The Bluetooth® word mark and logos are registered trademarks owned by Bluetooth SIG, Inc., and any use of such marks by Razer is under license.

Razer Inc. (“Razer”) may have copyright, trademarks, trade secrets, patents, patent applications, or other intellectual property rights (whether registered or unregistered) concerning the product in this guide. Furnishing of this guide does not give you a license to any such copyright, trademark, patent or other intellectual property right. The Razer Opus (the “Product”) may differ from pictures whether on packaging or otherwise. Razer assumes no responsibility for such differences or for any errors that may appear. Information contained herein is subject to change without notice.

### LIMITED PRODUCT WARRANTY

For the latest and current terms of the Limited Product Warranty, please visit: [razer.com/warranty](https://www.razer.com/warranty).

### LIMITATION OF LIABILITY

Razer shall in no event be liable for any lost profits, loss of information or data, special, incidental, indirect, punitive or consequential or incidental damages, arising in any way out of distribution of, sale of, resale of, use of, or inability to use the Product. In no event shall Razer’s liability exceed the retail purchase price of the Product.

## GENERAL

These terms shall be governed by and construed under the laws of the jurisdiction in which the Product was purchased. If any term herein is held to be invalid or unenforceable, then such term (in so far as it is invalid or unenforceable) shall be given no effect and deemed to be excluded without invalidating any of the remaining terms. Razer reserves the right to amend any term at any time without notice.